

GENERAL NOTES:

- 1- DEFINITION: THIS PRODUCT IS A ROLLING TYPE DOOR, DESIGNED, CONSTRUCTED AND ERECTED TO EASILY ENCLOSE AN AREA, PROVIDING PROTECTION FROM HURRICANE FORCE WINDS WITHIN THE ALLOWABLE DESIGNED PRESSURES AND LIMITATIONS STATED IN THIS APPROVAL.
- 2- CODE: THIS PRODUCT HAS BEEN TESTED UNDER THE ASTM E1886 & 1996 (MISSILE LEVEL D) AND ASTM E330, TAS 202, 201 (LARGE MISSILE), 203 AND HAS BEEN DESIGNED IN ACCORDANCE WITH THE FLORIDA BUILDING CODE, 2004 EDITION (2006 SUPPLEMENT).
- 3- POSTING: A LEGIBLE DECAL SHALL BE PLACED AT A READILY VISIBLE LOCATION STATING THE FOLLOWING:
 *ROLLER STAR USA, POMPANO BEACH, FLORIDA
 LARGE MISSILE (LEVEL D) IMPACT RESISTANT
 RE1500 ULTRA ER ROLLING DOOR*
- 4- LOADS: THE DESIGNED LOAD MUST BE CALCULATED BY A PROFESSIONAL ARCHITECT OR ENGINEER AS PER ASCE 7-02. THE CALCULATED DESIGNED PRESSURE MUST NOT EXCEED THE ALLOWABLE PRESSURES FOR EACH DOOR COMPONENT TO BE USED.
- 5- MATERIAL: ALL EXTRUDED ALUMINUM SHAPES SHALL BE MADE OF 6063-T6 OR AS NOTED.
- 6- FASTENERS: ASSEMBLY SCREWS AND ANCHORS SHALL BE AS SPECIFIED IN THE CURRENT SET OF DRAWINGS. INSTALLATION AND LOADS AS PER THIS APPROVAL.
- 7- USE: IT SHALL BE THE RESPONSIBILITY OF THE CONTRACTOR, ARCHITECT OR ENGINEER OF RECORD TO VERIFY THE FOLLOWING:
 7.1- THE STABILITY OF THE STRUCTURE WHERE THE DOOR IS TO BE ATTACHED INSURING PROPER ANCHORAGE.
 7.2- THE SITE SPECIFIC PROJECT CRITERIA, SUCH AS BUT NOT LIMITED TO, WIND LOADS, LOCAL CODE REQUIREMENTS, DESIGNED PRESSURES ETC.
 7.3- THAT THIS APPROVAL IS ADEQUATE TO THE SPECIFIC PROJECT.
- 8- DISCLAIMER: ENCO INC. HAS NO CONTROL IN THE MANUFACTURING AND/OR PERFORMANCE OF THIS PRODUCT. THESE GENERIC PLANS WERE ENGINEERED IN ACCORDANCE WITH ACCEPTED ENGINEERING PRACTICES AND TEST DATA PROVIDED BY THE MANUFACTURER.
- 9- 33 1/3% INCREASE IN ALLOWABLE LOADS HAVE NOT BEEN USED IN THE DESIGN OF THE ANCHORS FOR THIS PRODUCT APPROVAL.
- 10- THE ROLL-UP MECHANISM (GEARS, MOTORS, SUPPORTING END PLATES) ARE NOT PART OF THIS APPROVAL. MANUFACTURER ARE RESPONSIBLE TO SPECIFY THESE COMPONENTS FOR PROPER DOOR OPERATION.
- 11- THIS PRODUCT IS DESIGN FOR USE IN OR OUT THE HIGH VELOCITY HURRICANE ZONES (HVHZ). PRODUCT MUST BE INSTALLED OFFSET FROM THE FENESTRATION ASSEMBLY TO BE PROTECTED AS PER TABLE 1 (GS)

TABLE 1 - ALLOWABLE DESIGNED PRESSURE				CONTRACTOR TO VERIFY ADEQUACY OF STRUCTURE FOR MAXIMUM IMPOSED LOADS VY AND Vx	
TT MAX.	ALLOWABLE WIND PRESSURES		G. S.	TRACK REACTIONS	
	POSITIVE	NEGATIVE		Vy	Vx
273'	+ 40.0	- 40.0	17	455	2382
249'	+ 45.0	- 45.0	17	467	2323
225'	+ 52.0	- 52.0	16	488	2321
201'	+ 61.0	- 61.0	15	512	2355
177'	+ 71.0	- 71.0	13	524	2344
153'	+ 82.0	- 82.0	12	524	2281
120'	+105.0	-105.0	8	525	2438

NOTES:
 1- DESIGNED PRESSURES MUST NOT EXCEED 105 PSF
 2- DOOR SIZE (TT) MUST NOT EXCEED 273'
 3- GS - GLASS SEPARATION IN INCHES AS PER NOTE 11

MULTIPLE DOORS NOTES:
 1- USE TABLE 1 TO VERIFY MAXIMUM ALLOWABLE PRESSURE
 2- USE TABLE 6 TO SELECT INTERMEDIATE MULLIONS
 3- USE TABLE 7 TO SELECT PROPER MULLION ANCHORAGE

INDEX:

SHEET	INDEX, GENERAL NOTES, DESIGN SCHEDULE, ALLOWABLE PRESSURE (TABLE 1)
1	INDEX, GENERAL NOTES, DESIGN SCHEDULE, ALLOWABLE PRESSURE (TABLE 1)
2	TYPICAL ELEVATIONS AND SECTIONS.
3	TYPICAL HORIZONTAL SECTIONS & ANCHORAGE SCHEDULE
4	TYPICAL HORIZONTAL SECTIONS & ANCHORAGE SCHEDULE
5	TYPICAL VERTICAL SECTIONS
6	EQUALLY SPACED MULLIONS SELECTION
7	EQUALLY SPACED MULLIONS CONNECTIONS
8	PRODUCT COMPONENTS AND SLAT END RETENTION LAYOUT
9	HOOD ASSEMBLY

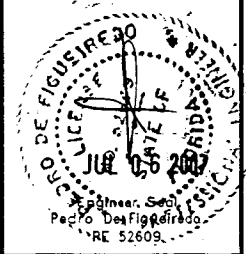
DESIGN SCHEDULE	
COMPONENT	SHEET
SLAT ALLOWABLE PRESSURE	1
TRACK ANCHORAGE SPACING	3 & 4
EQUALLY SPACED MULLIONS	6 & 7

ALLOWABLE DESIGNED PRESSURE FOR MULTIPLE DOORS ARE FUNCTION OF THE LOWEST ALLOWABLE DESIGNED LOAD FOR THE SLATS, MULLIONS AND ANCHORAGE.

MANUFACTURER:
Roller Star USA
 1460 SW 6TH CT
 BUILDING 1400
 POMPANO BEACH - FLORIDA
 TEL.: 800 782-7009
 FAX: 954 917-8641

PRODUCT:
RE1500 ULTRA ER
 EXTRUDED ALUMINUM
 ROLLING DOOR W/
 END RETENTION

Engineering:
Eng Co Inc.
 CA 8116
 6971 W. Sunrise Blvd. 104
 Plantation, FL 33313
 Tel.: (954) 585-0304
 Fax: (954) 585-0305



Date: 7/6/07
 Scale: na
 Design by: PPMF

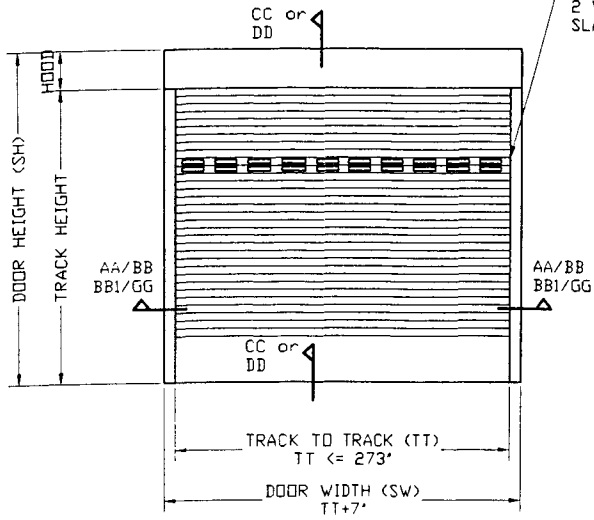
DR-FITING
PK DRAFTING & MORE

Drawing Number
07-208

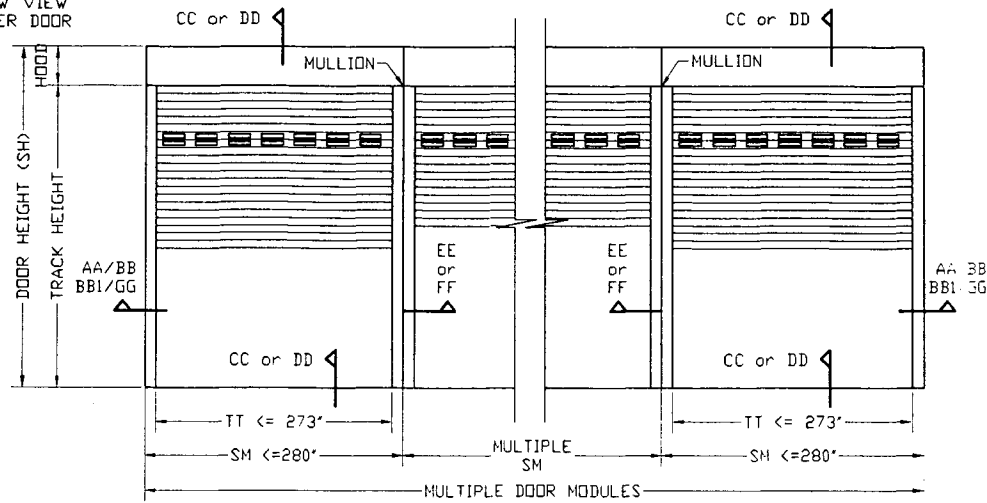
Sheet
1 of 9

TYPICAL ELEVATIONS

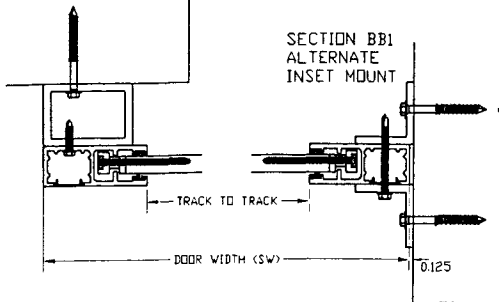
TYPICAL SINGLE UNIT ELEVATION



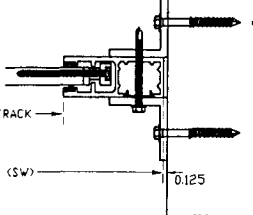
TYPICAL MULTIPLE UNITS ELEVATION



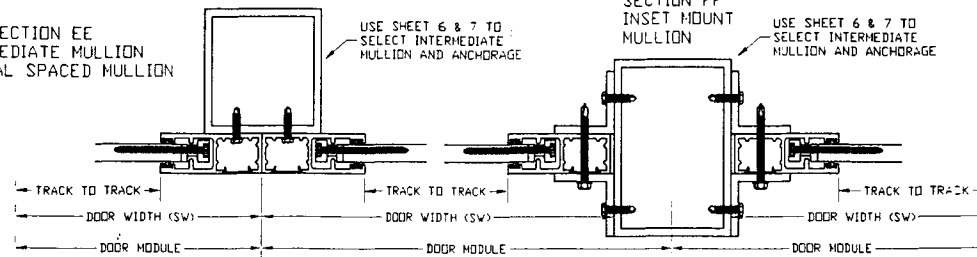
SECTION GG
BUILT-OUT



SECTION BB1
ALTERNATE
INSET MOUNT



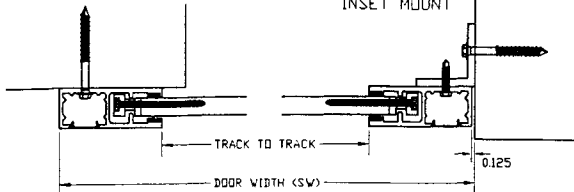
SECTION EE
INTERMEDIATE MULLION
WITH EQUAL SPACED MULLION



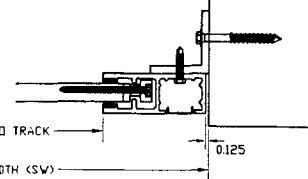
SECTION FF
INSET MOUNT
MULLION

USE SHEET 6 & 7 TO
SELECT INTERMEDIATE
MULLION AND ANCHORAGE

SECTION AA
WALL MOUNT



SECTION BB
INSET MOUNT

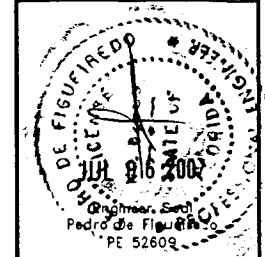


MANUFACTURER:
Roller Star USA
1460 SW 6TH CT
BUILDING 1400
POMPANO BEACH -
FLORIDA
TEL.: 800 782-7009
FAX: 954 917-8641

PRODUCT:
RE1500 ULTRA ER
EXTRUDED ALUMINUM
ROLLING DOOR W/
END RETENTION

Engineering:
Eng Co Inc.

CA 8116
6971 W. Sunrise Blvd. 104
Plantation, FL 33313
Tel.: (954) 585-0304
Fax: (954) 585-0305



Date: 7/6/07
Scale: na
Design by: PPMF

DRAFTING:
PK DRAFTING & MORE

Drawing Number
07-208

Sheet
2 of 9

TABLE 2 - SECTION AA MAXIMUM ANCHORAGE SPACING (In. OC)

PD	120				153				177				201		225		249		273
	A	A1	B	B1	A	A1	B	B1	A	A1	B	B1	A	B	A	B	A	B	A
40	9.0	5.0	6.0	5.0	9.0	4.0	4.0	4.0	7.0	3.8	4.0	3.8	6.0	3.8	6.0	3.8	6.0	3.8	6.0
45	9.0	5.0	5.0	5.0	8.0	4.0	4.0	4.0	7.0	---	4.0	---	6.0	3.8	6.0	3.8	6.0	3.8	6.0
46	9.0	5.0	5.0	5.0	8.0	4.0	4.0	4.0	7.0	---	4.0	---	6.0	3.8	6.0	3.8	6.0	3.8	6.0
52	9.0	4.0	5.0	4.0	7.0	3.8	3.8	3.8	6.0	---	3.8	---	6.0	3.8	6.0	3.8	6.0	3.8	6.0
53	9.0	4.0	5.0	4.0	7.0	3.8	3.8	3.8	6.0	---	3.8	---	6.0	3.8	6.0	3.8	6.0	3.8	6.0
60	8.0	4.0	4.0	4.0	6.0	---	3.8	---	6.0	---	3.8	---	6.0	3.8	6.0	3.8	6.0	3.8	6.0
61	8.0	4.0	4.0	4.0	6.0	---	3.8	---	6.0	---	3.8	---	6.0	3.8	6.0	3.8	6.0	3.8	6.0
62	8.0	4.0	4.0	3.8	6.0	---	3.8	---	6.0	---	3.8	---	6.0	3.8	6.0	3.8	6.0	3.8	6.0
70	7.0	---	4.0	---	6.0	---	3.8	---	6.0	---	3.8	---	6.0	3.8	6.0	3.8	6.0	3.8	6.0
71	7.0	---	4.0	---	6.0	---	3.8	---	6.0	---	3.8	---	6.0	3.8	6.0	3.8	6.0	3.8	6.0
79	6.0	---	3.8	---	6.0	---	3.8	---	6.0	---	3.8	---	6.0	3.8	6.0	3.8	6.0	3.8	6.0
80	6.0	---	3.8	---	6.0	---	3.8	---	6.0	---	3.8	---	6.0	3.8	6.0	3.8	6.0	3.8	6.0
82	6.0	---	---	---	6.0	---	3.8	---	6.0	---	3.8	---	6.0	3.8	6.0	3.8	6.0	3.8	6.0
105	6.0	---	---	---	6.0	---	3.8	---	6.0	---	3.8	---	6.0	3.8	6.0	3.8	6.0	3.8	6.0

MAX. TT
ANCHOR TYPE
SEE ANCHOR
SCHEDULE

EXAMPLE: TT=225', PD=52PSF
ANCHOR TYPE B
SPACED AT 3 3/4" OC

TABLE 3 - SECTION BB
MAXIMUM ANCHORAGE SPACING (In. OC)

PD	ANCHOR TYPE A							
	120	153	177	201	225	249	273	
40	9.0	7.0	6.0	5.0	5.0	5.0	4.5	
45	8.0	6.0	5.0	5.0	5.0	5.0	5.0	
46	8.0	6.0	5.0	5.0	4.5	5.0	5.0	
52	7.0	5.0	5.0	4.5	5.0	5.0	5.0	
53	7.0	5.0	5.0	4.5	5.0	5.0	5.0	
60	6.0	5.0	5.0	4.5	5.0	5.0	4.5	
61	6.0	5.0	5.0	4.5	5.0	5.0	4.5	
62	6.0	5.0	5.0	4.5	5.0	5.0	4.5	
70	5.0	5.0	4.5	5.0	5.0	5.0	4.5	
71	5.0	5.0	4.5	5.0	5.0	5.0	4.5	
79	5.0	5.0	4.5	5.0	5.0	5.0	4.5	
80	5.0	5.0	4.5	5.0	5.0	5.0	4.5	
82	5.0	5.0	4.5	5.0	5.0	5.0	4.5	
105	4.5	5.0	5.0	4.5	5.0	5.0	4.5	

TABLE 3.1 - SECTION BB
MAXIMUM ANCHORAGE SPACING (In. OC)

PD	ANCHOR TYPE C							
	120	153	177	201	225	249	273	
40	5.0	4.0	3.0	3.0	3.0	3.0	3.0	
45	5.0	4.0	3.0	3.0	3.0	3.0	3.0	
46	5.0	4.0	3.0	3.0	3.0	3.0	3.0	
52	4.0	3.0	3.0	3.0	3.0	3.0	3.0	
53	4.0	3.0	3.0	3.0	3.0	3.0	3.0	
60	4.0	3.0	3.0	3.0	3.0	3.0	3.0	
61	3.0	3.0	3.0	3.0	3.0	3.0	3.0	
62	3.0	3.0	3.0	3.0	3.0	3.0	3.0	
70	3.0	3.0	3.0	3.0	3.0	3.0	3.0	
71	3.0	3.0	3.0	3.0	3.0	3.0	3.0	
79	3.0	3.0	3.0	3.0	3.0	3.0	3.0	
80	3.0	3.0	3.0	3.0	3.0	3.0	3.0	
82	3.0	3.0	3.0	3.0	3.0	3.0	3.0	
105	3.0	3.0	3.0	3.0	3.0	3.0	3.0	

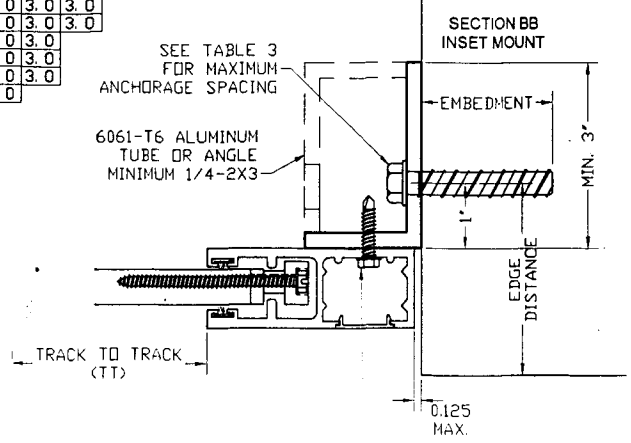
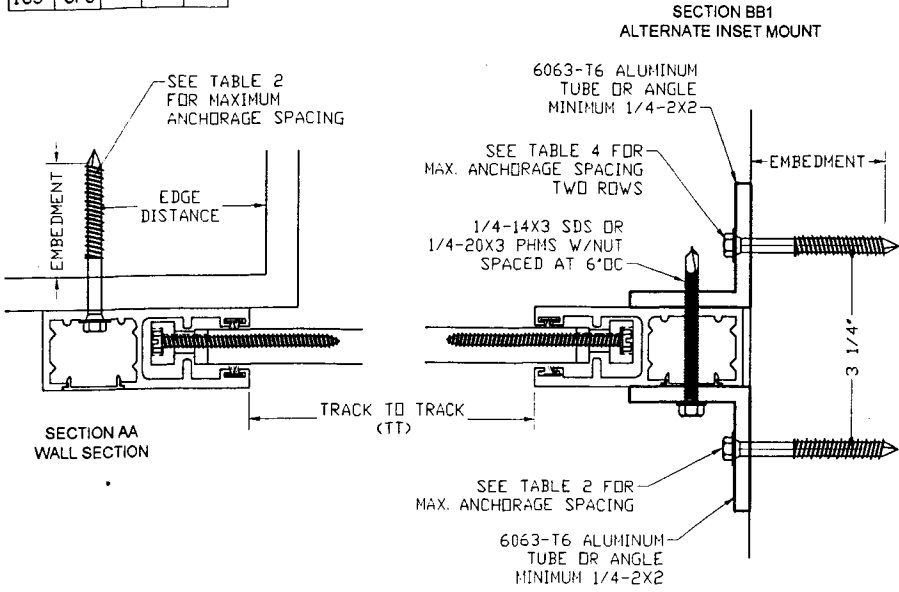


TABLE 4 - SECTION BB1
MAXIMUM ANCHORAGE SPACING (In. OC)

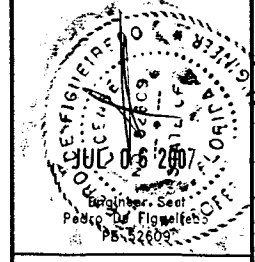
PD	120				153				177				201		225		249		273	
	A	A1	B	B1	A	A1	B	B1	A	A1	B	B1	A	B	A	B	A	B	A	B
40	9.0	8.0	8.0	9.0	9.0	6.0	7.0	7.0	9.0	5.0	6.0	6.0	9.0	5.0	5.0	5.0	6.0	4.0	5.0	5.0
45	9.0	7.0	8.0	8.0	9.0	6.0	6.0	6.0	9.0	5.0	5.0	6.0	9.0	4.0	4.0	5.0	6.0	4.0	4.0	5.0
46	9.0	7.0	7.0	8.0	9.0	5.0	6.0	6.0	9.0	5.0	5.0	5.0	9.0	4.0	4.0	5.0	6.0	4.0	4.0	5.0
52	9.0	6.0	7.0	7.0	9.0	5.0	5.0	6.0	9.0	4.0	5.0	5.0	9.0	4.0	4.0	5.0	6.0	4.0	4.0	5.0
53	9.0	6.0	7.0	7.0	9.0	5.0	5.0	6.0	9.0	4.0	4.0	5.0	9.0	4.0	4.0	5.0	6.0	4.0	4.0	5.0
60	9.0	5.0	6.0	6.0	9.0	4.0	5.0	5.0	9.0	4.0	4.0	5.0	9.0	4.0	4.0	5.0	6.0	4.0	4.0	5.0
61	9.0	5.0	6.0	6.0	9.0	4.0	5.0	5.0	9.0	4.0	4.0	5.0	9.0	4.0	4.0	5.0	6.0	4.0	4.0	5.0
62	9.0	5.0	6.0	6.0	9.0	4.0	5.0	5.0	9.0	4.0	4.0	5.0	9.0	4.0	4.0	5.0	6.0	4.0	4.0	5.0
70	9.0	5.0	5.0	5.0	9.0	4.0	5.0	5.0	9.0	4.0	4.0	5.0	9.0	4.0	4.0	5.0	6.0	4.0	4.0	5.0
71	9.0	5.0	5.0	5.0	9.0	4.0	4.0	5.0	9.0	4.0	4.0	5.0	9.0	4.0	4.0	5.0	6.0	4.0	4.0	5.0
79	9.0	4.0	5.0	5.0	9.0	4.0	4.0	5.0	9.0	4.0	4.0	5.0	9.0	4.0	4.0	5.0	6.0	4.0	4.0	5.0
80	9.0	4.0	5.0	5.0	9.0	4.0	4.0	5.0	9.0	4.0	4.0	5.0	9.0	4.0	4.0	5.0	6.0	4.0	4.0	5.0
82	9.0	4.0	4.0	5.0	9.0	4.0	4.0	5.0	9.0	4.0	4.0	5.0	9.0	4.0	4.0	5.0	6.0	4.0	4.0	5.0
105	9.0	4.0	4.0	4.0	9.0	4.0	4.0	5.0	9.0	4.0	4.0	5.0	9.0	4.0	4.0	5.0	6.0	4.0	4.0	5.0

ANCHOR	DESCRIPTION	MATERIAL	EMBEDMENT	EDGE DISTANCE
A	3/8" X 4" WEDGE BOLTS	MIN. 3000 psi CONCRETE	3 1/2"	4 1/2"
A1	5/16" X 3" TAPCONS	MIN. 2899 psi CONCRETE	2 1/4"	3 1/8"
B	3/8" X 4" WEDGE BOLTS	GROUT FILLED C-90 BLOCK	3 1/2"	3 3/4"
B1	5/16" X 3" TAPCONS	GROUT FILLED C-90 BLOCK	2 1/4"	4"
C	1/4" - 14X1" SDS GRADE 5	MIN. 1/4" 6063-T6 ALUM	-	1/2"

MANUFACTURER:
Roller Star USA
1460 SW 6TH CT
BUILDING 1400
POHANO BEACH -
FLORIDA
TEL.: 800 782-7009
FAX: 954 917-8641

PRODUCT:
RE1500 ULTRA ER
EXTRUDED ALUMINUM
ROLLING DOOR W/
END RETENTION

Engineering:
EngCo Inc.
CA 8116
5971 W. Sunrise Blvd. 104
Plantation, FL 33313
Tel.: (954) 585-0304
Fax: (954) 585-0305



Date: 7/6/07
Scale: no
Design by: PPMF

DRAFTING:
PK DRAFTING & MORE

Drawing Number
07-208

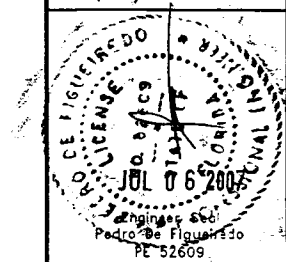
Sheet
3 of 9

MANUFACTURER:
Roller Star USA
 1460 SW 6TH CT
 BUILDING 1400
 POMPANO BEACH -
 FLORIDA
 TEL : 800 782-7009
 FAX : 954 917-8641

PRODUCT:
RE1500 ULTRA ER
 EXTRUDED ALUMINUM
 ROLLING DOOR W/
 END RETENTION

Engineering:
EngCo Inc.

CA 8116
 6971 W. Sunrise Blvd. 104
 Plantation, FL 33313
 Tel.: (954) 585-0304
 Fax: (954) 585-0305



Date: 7/6/07
 Scale: na
 Design by: PPMF

DRAFTING:
PK DRAFTING & MORE

Drawing Number
 07-208

Sheet
 4 of 9

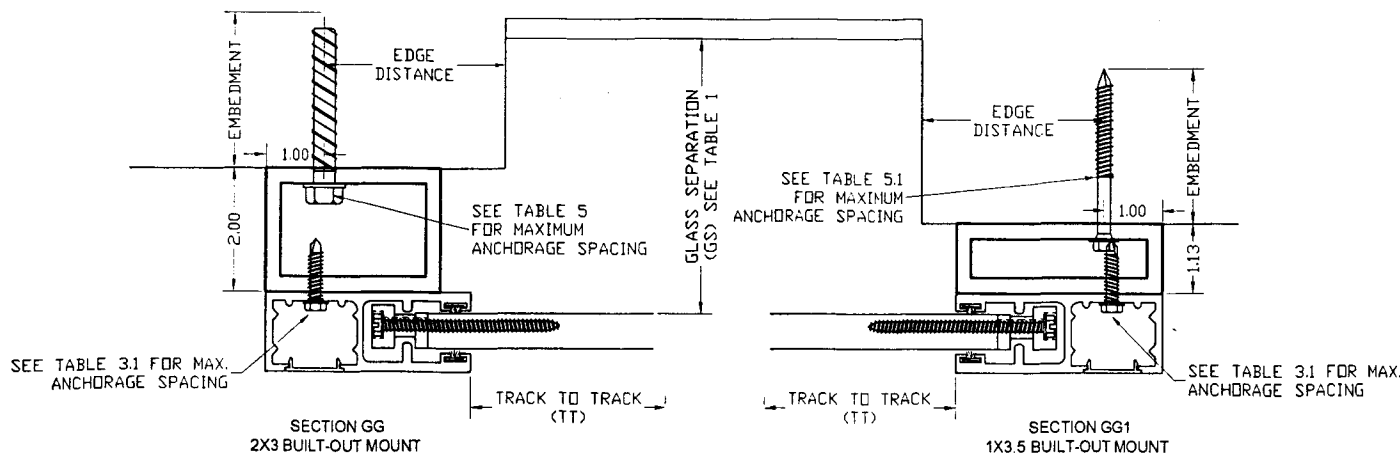


TABLE 5 - SECTION GG
 MAXIMUM ANCHORAGE SPACING (in. OC)

MAX. TT	ANCHOR TYPE A			ANCHOR TYPE SEE ANCHOR SCHEDULE
	PD	120	153	
40	7.0	5.0	4.5	
45	6.0	5.0		
46	6.0	5.0		
52	5.0	4.5		
53	5.0	4.5		
60	5.0			
61	5.0			
62	4.5			

EXAMPLE: TT=153', PD=62PSF
 ANCHOR TYPE A
 SPACED AT 4 1/2' OC

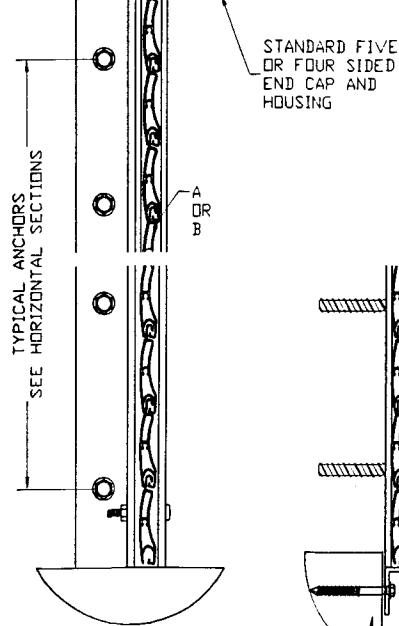
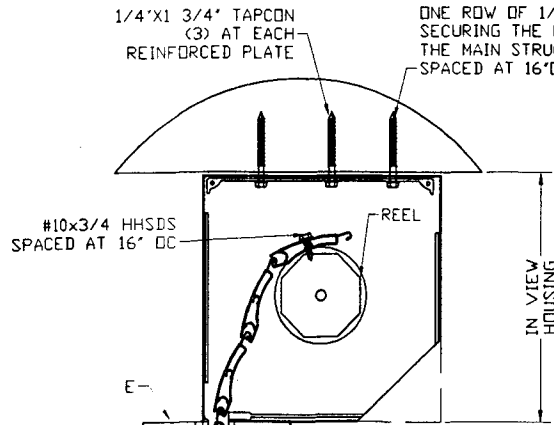
TABLE 5.1 - SECTION GG1
 MAXIMUM ANCHORAGE SPACING (in. OC)

MAX. TT	ANCHOR TYPE A										ANCHOR TYPE SEE ANCHOR SCHEDULE
	PD	120		153		177	201	225	249	273	
40	8.0	4.0	4.0	4.0	7.0	6.0	5.0	5.0	5.0	4.5	
45	8.0	3.8	4.0	3.8	6.0	5.0	5.0	5.0	5.0		
46	8.0	3.8	4.0	3.8	6.0	5.0	5.0	5.0			
52	7.0	---	---	---	5.0	5.0	5.0	5.0			
53	7.0	---	---	---	5.0	5.0	5.0				
60	6.0	---	---	---	5.0	5.0	5.0				
61	6.0	---	---	---	5.0	5.0	5.0				
62	6.0	---	---	---	5.0	5.0					
70	5.0	---	---	---	5.0	5.0					
71	5.0	---	---	---	5.0	5.0					
79	5.0	---	---	---	5.0						
80	5.0	---	---	---	5.0						
82	5.0	---	---	---	5.0						
105	5.0	---	---	---							

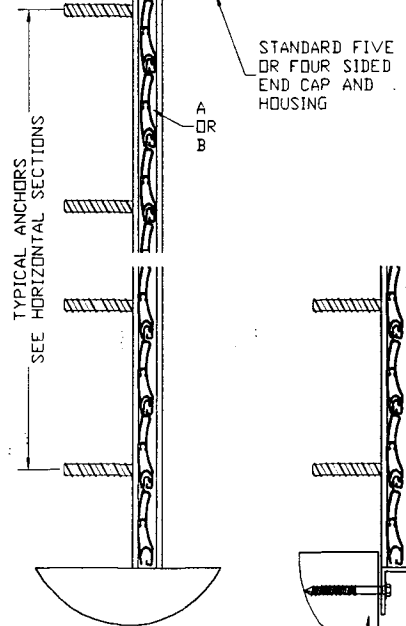
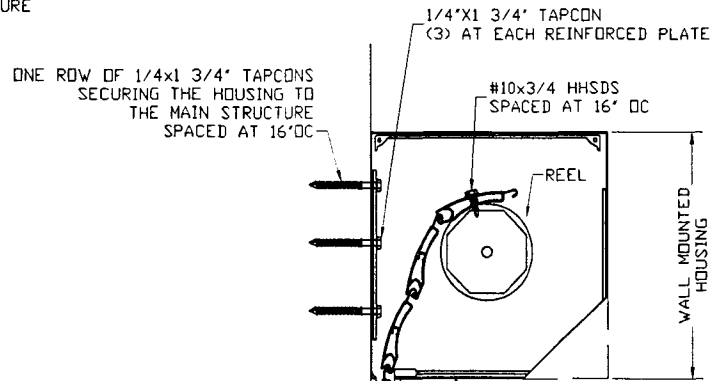
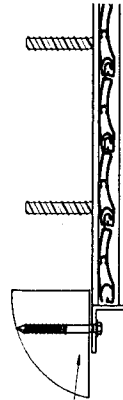
EXAMPLE: TT=120', PD=105 PSF
 ANCHOR TYPE A
 SPACED AT 5' OC

ANCHOR SCHEDULE:				
ANCHOR	DESCRIPTION	MATERIAL	EMBEDMENT	EDGE DISTANCE
A	3/8"X4" WEDGE BOLTS	MIN. 3000 psi CONCRETE	3 1/2"	4 1/2"
A1	5/16"X3" TAPCONS	MIN. 2899 psi CONCRETE	2 1/4"	3 1/8"
B	3/8"X4" WEDGE BOLTS	GROUT FILLED C-90 BLOCK	3 1/2"	3 3/4"
B1	5/16"X3" TAPCONS	GROUT FILLED C-90 BLOCK	2 1/4"	4"
C	1/4"-14X1" SDS GRADE 5	MIN. 1/4" 6063-T6 ALUM.	-	1/2"

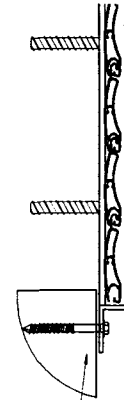
TYPICAL VERTICAL SECTIONS



SECTION CC
CEILING / FLOOR MOUNT
CEILING / WALL MOUNT



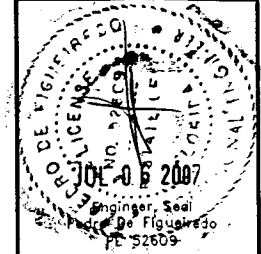
SECTION DD
WALL / FLOOR MOUNT
WALL / WALL MOUNT



MANUFACTURER:
Roller Star USA
1460 SW 6TH CT
BUILDING 1400
POH PAND BEACH -
FLORIDA
TEL.: 800 782-7009
FAX: 954 917-8641

PRODUCT:
RE1500 ULTRA ER
EXTRUDED ALUMINUM
ROLLING DOOR W/
END RETENTION

Engineering:
Eng Co Inc.
CA 8116
6971 W. Sunrise Blvd. 104
Plantation, FL 33313
Tel.: (954) 585-0304
Fax: (954) 585-0305



Date: 7/6/07
Scale: no
Design by: PPMF

DRAFTING:
PK DRAFTING & MORE

Drawing Number
07-208

Sheet
5 of 9

EQUALLY SPACED MULLIONS SELECTION

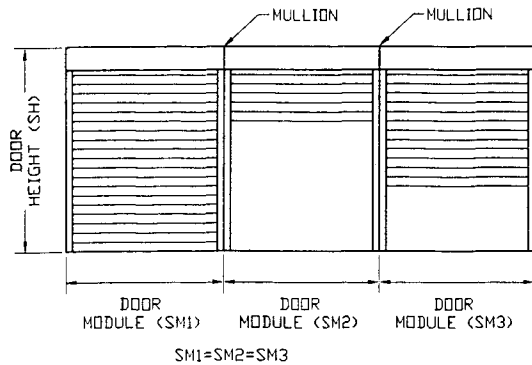
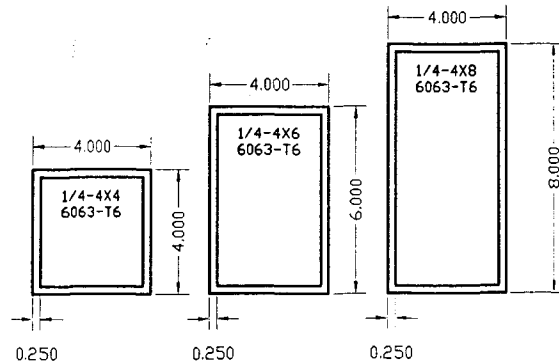
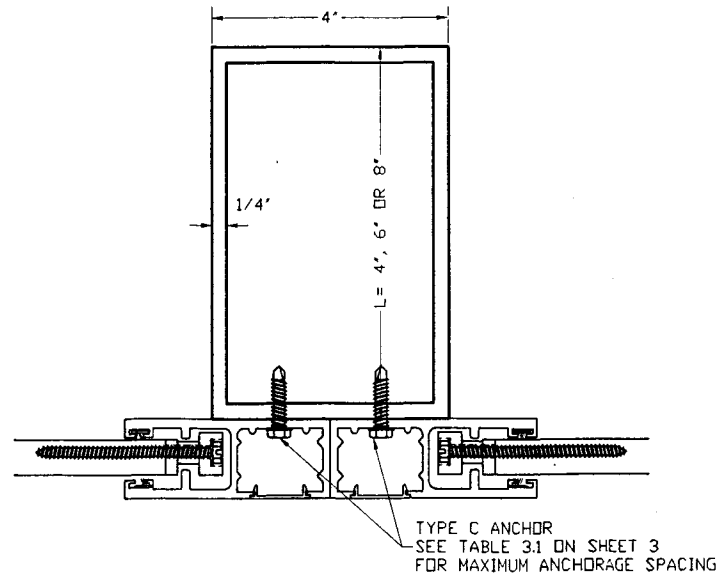


TABLE 6 - EQUAL SPACED MULLION DESIGNED PRESSURES (PSF)

DOOR MODULE	MULLION TYPE & MAX. HEIGHT								
	1/4-4x8			1/4-4x6			1/4-4x4		
280	35	39	40	30	40	40	--	--	30
256	38	45	45	32	45	45	--	30	35
232	42	50	52	36	49	52	31	35	41
208	47	56	61	40	55	61	34	39	45
184	53	64	71	45	62	71	42	48	56
160	61	73	82	52	72	82	55	63	73
127	77	92	105	66	91	105	69	79	92

NOTES:
 1- MULLIONS WERE DESIGNED BY RATIONAL ANALYSIS BASED ON THE ALUMINUM DESIGN MANUAL 2005 ED. AND THE FLORIDA BUILDING CODE.
 2- DEFLECTION CRITERIA: MAXIMUM SPAN /180
 3- TABLE 6 IS APPLICABLE ONLY FOR EQUAL MODULES SM1=SM2=SM3.
 4- UNEQUAL MODULES ARE TO BE DESIGNED BY RATIONAL ANALYSIS IN A CASE BY CASE BASIS.

MULLIONS SECTIONS

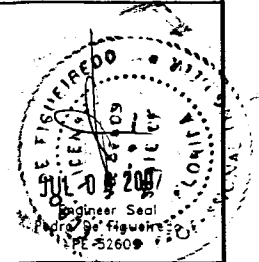


MANUFACTURER:
Roller Star USA
 1460 SW 6TH CT
 BUILDING 1400
 POMPANO BEACH -
 FLORIDA
 TEL : 800 782-7009
 FAX : 954 917-8641

PRODUCT:
RE1500 ULTRA ER
 EXTRUDED ALUMINUM
 ROLLING DOOR W/
 END RETENTION

Engineering:
Eng Co Inc.

CA 8116
 6971 W. Sunrise Blvd. 104
 Plantation, FL 33313
 Tel.: (954) 585-0304
 Fax: (954) 585-0305



Date: 7/6/07
 Scale: na
 Design by: PPMF

DRAFTING:
PK DRAFTING & MORE

Drawing Number
 07-208

Sheet
 6 of 9

EQUALLY SPACED MULLIONS WALL AND FLOOR CONNECTIONS

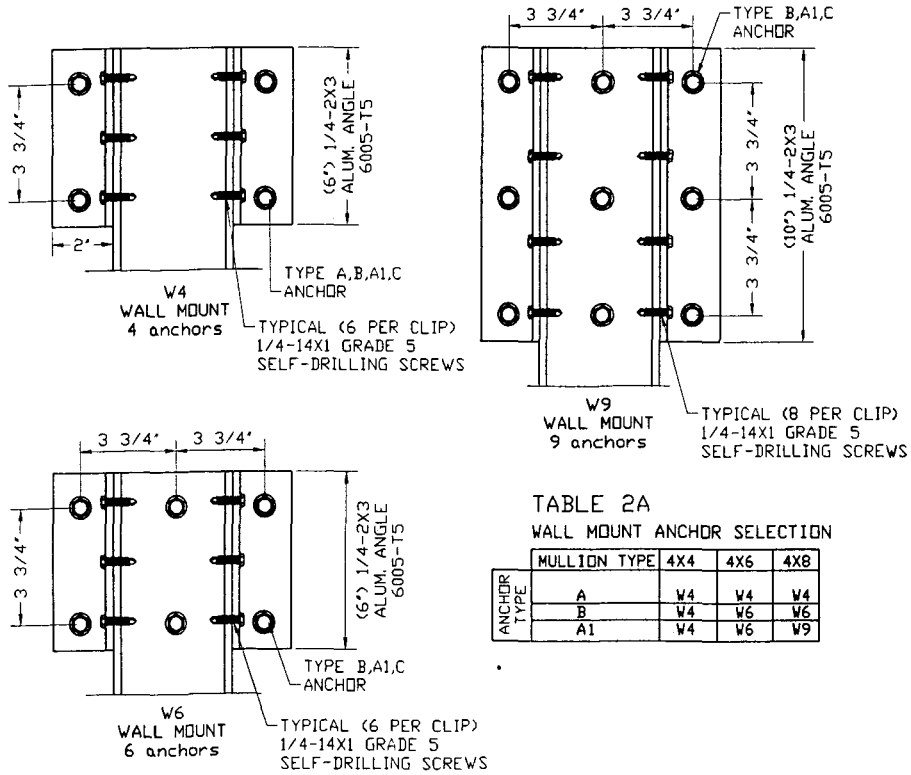
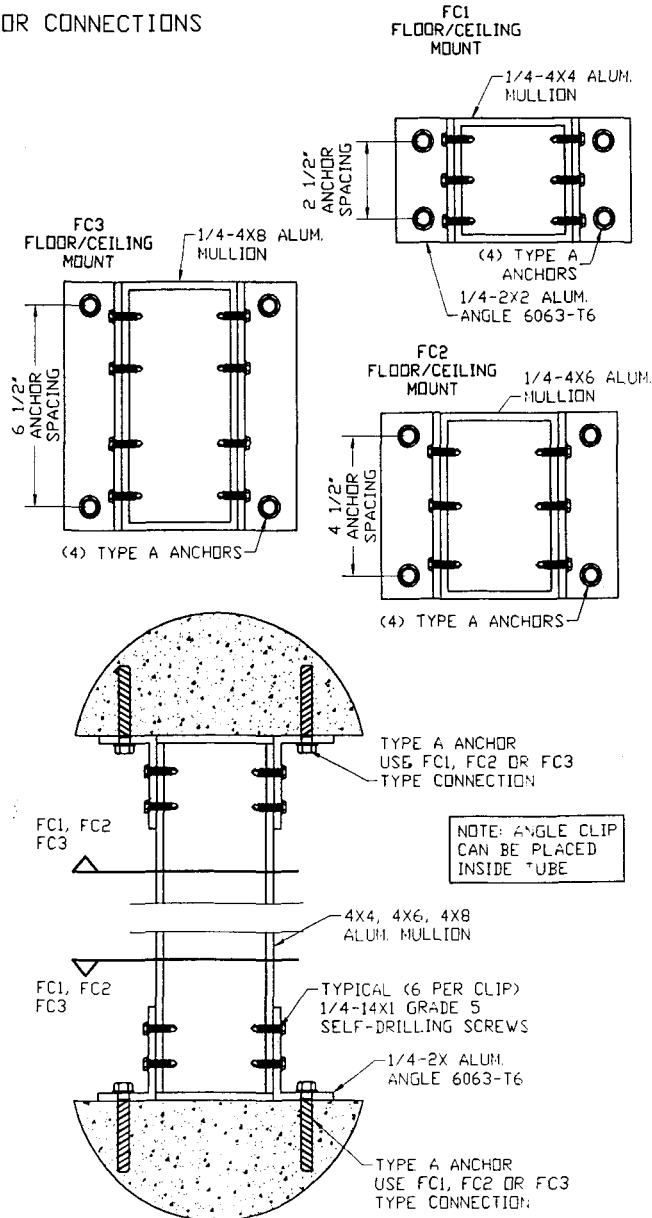


TABLE 2A
WALL MOUNT ANCHOR SELECTION

ANCHOR TYPE	MULLION TYPE	4X4	4X6	4X8
		A	W4	V4
B	W4	V6	V6	
A1	W4	V6	W9	

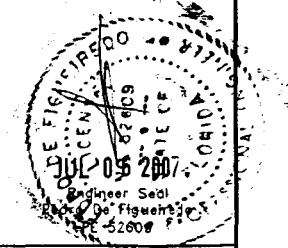
ANCHOR SCHEDULE:				
ANCHOR	DESCRIPTION	MATERIAL	EMBEDMENT	EDGE DISTANCE
A	3/8" X 4" WEDGE BOLTS	MIN. 3000 PSI CONCRETE	3 1/2"	4 1/2"
A1	5/16" X 3" TAPCONS	MIN. 2899 PSI CONCRETE	2 1/4"	3 1/8"
B	3/8" X 4" WEDGE BOLTS	GROUT FILLED C-90 BLOCK	3 1/2"	3 3/4"
B1	5/16" X 3" TAPCONS	GROUT FILLED C-90 BLOCK	2 1/4"	4"
C	1/4"-14X1" SDS GRADE 5	MIN. 1/4" 6063-T6 ALUM.	-	1/2"



MANUFACTURER:
Roller Star USA
1460 SW 6TH CT
BUILDING 1400
POMPANO BEACH -
FLORIDA
TEL : 800 782-7009
FAX : 954 917-8641

PRODUCT:
RE1500 ULTRA ER
EXTRUDED ALUMINUM
ROLLING DOOR W/
END RETENTION

Engineering:
EngCo Inc.
CA 8116
6971 W. Sunrise Blvd. 104
Plantation, FL 33313
Tel.: (954) 585-0304
Fax: (954) 585-0305

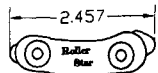
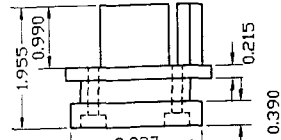
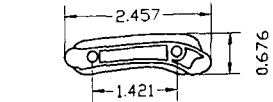


Date: 7/6/07
Scale: no
Design by: PPMF

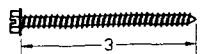
DRAFTING
PK DRAFTING & MORE

Drawing Number
07-208

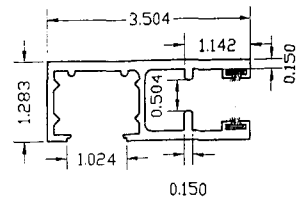
Sheet
7 of 9



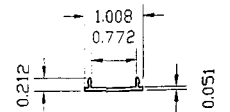
D1- NYLON RETAINER



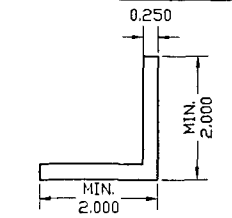
D- SLAT RETENTION SCREW
#14X3" HEX HEAD SDS



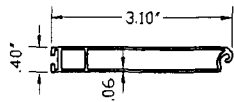
C- GUIDE RAIL W/ FELT
6005-T5 EXTRUDED ALUMINUM



C1- TRACK SNAP COVER
6063-T5 EXTRUDED ALUMINUM

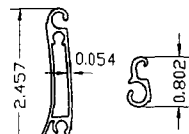


E- INSET SUPPORT ANGLE
EXTRUDED ALUMINUM
6061-T6 or 60005-T5

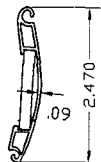


G- BASMAT5 END SLAT
COMPATIBLE WITH RE 1500
6063-T6 Alloy

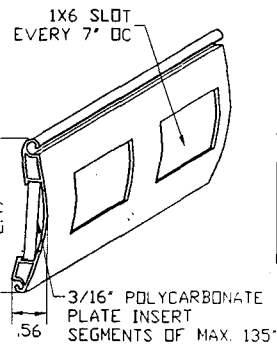
A- RE1500 ULTRA ER
MALE & FEMALE SLATS
6063-T6 EXTRUDED ALUMINUM



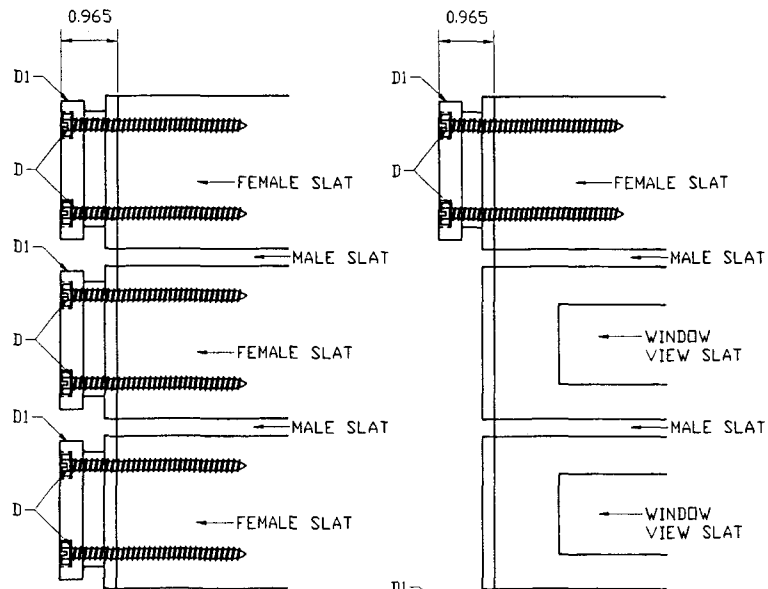
0.566



RE 1500VP WINDOW VIEW SLATS
.05 EXTRUDED ALUMINUM
6063-T5 Alloy
NOTE: MAXIMUM 2 SLATS PER DOOR



3/16" POLYCARBONATE
PLATE INSERT
SEGMENTS OF MAX. 135"



RE1500 END RETENTION

RE1500 END RETENTION
AT WINDOW VIEW SLATS

MANUFACTURER:
Roller Star USA
1460 SW 6TH CT
BUILDING 1400
POMPANO BEACH -
FLORIDA
TEL : 800 782-7009
FAX : 954 917-8641

PRODUCT:
RE1500 ULTRA ER
EXTRUDED ALUMINUM
ROLLING DOOR W/
END RETENTION

Engineering:
EngCo Inc.
CA 8116
6971 W. Sunrise Blvd. 104
Plantation, Fl. 33313
Tel.: (954) 585-0304
Fax: (954) 585-0305



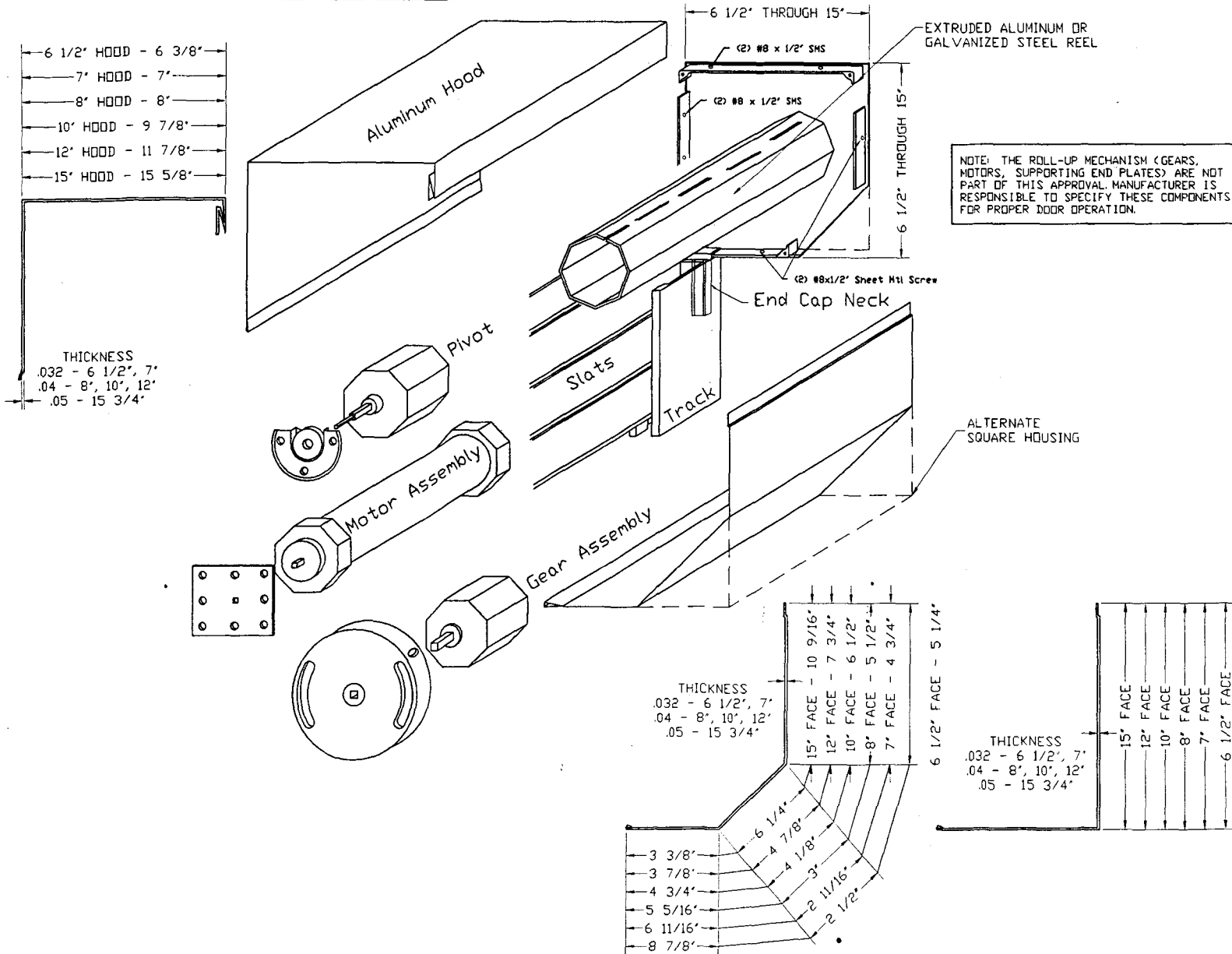
Date: 7/6/07
Scale: nc
Design by: PPMF

DRAFTING:
PK DRAFTING & MORE

Drawing Number
07-208

Sheet
8 of 9

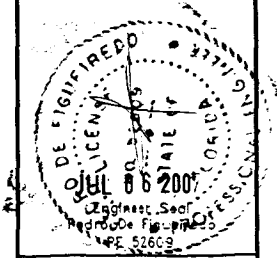
HOOD ASSEMBLY



MANUFACTURER:
Roller Star USA
1460 SW 6TH CT
BUILDING 1400
POMPANO BEACH -
FLORIDA
TEL.: 800 782-7009
FAX: 954 917-8641

PRODUCT:
RE1500 ULTRA ER
EXTRUDED ALUMINUM
ROLLING DOOR W/
END RETENTION

Engineering:
EngCo Inc.
CA 8116
6971 W. Sunrise Blvd. 104
Plantation, FL 33313
Tel.: (954) 585-0304
Fax: (954) 585-0305



Date: 7/6/07
Scale: no
Design by: PPMF

DRAFTING:
PK DRAFTING & MORE

Drawing Number
07-208

Sheet
9 of 9